

Instructions

DIY separation toilet

Quick start guide in English language



Separation toilet


eco friendly

sustainable

build it yourself

ECO  **SHIT**

SAVE WATER = SAVE THE PLANET



A separation toilet does not require water and sewer connection. It works self-sufficiently and is therefore very environmentally friendly.

The contents of the toilet can be easily composted at home.

With the help of these instructions, you can build a cheap, self-sufficient and sustainable toilet.

Information

- This construction guide describes how to make a simple and inexpensive separation toilet in a few steps with simple tools.
- Two sizes are possible, with a capacity of 5 liters or 10 liters.
- The separation toilet corresponds to the state of the art.
- This construction guide is available free of charge as a PDF document at: www.ecoshit.de/diy

This construction guide is also available in other languages.

1. Preparation

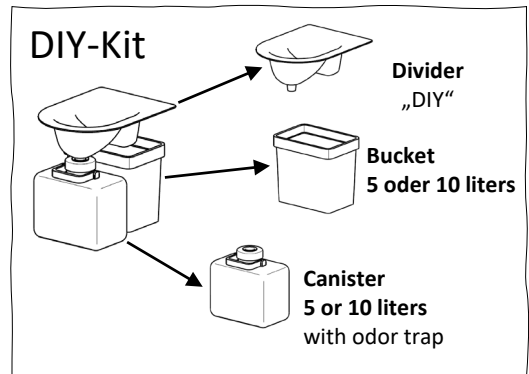
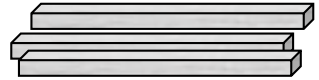
Material list

- Wooden board 35 x 45cm, 12-15mm thick
- Wooden laths 24 x 48mm, about 5.5 meters in total
- 35 screws, 40mm long
- **DIY-Kit (different versions for 5 or 10 liters)**
 - Divider „DIY“
 - Bucket
 - Canister with odor trap
- Toilet lid

Tool list

- Ruler, pencil, compass
- Step drill / Forstner drill
- Jigsaw
- Screwdriver
- Sandpaper / sanding block

Wooden laths 24x48mm
about 5.5m in total

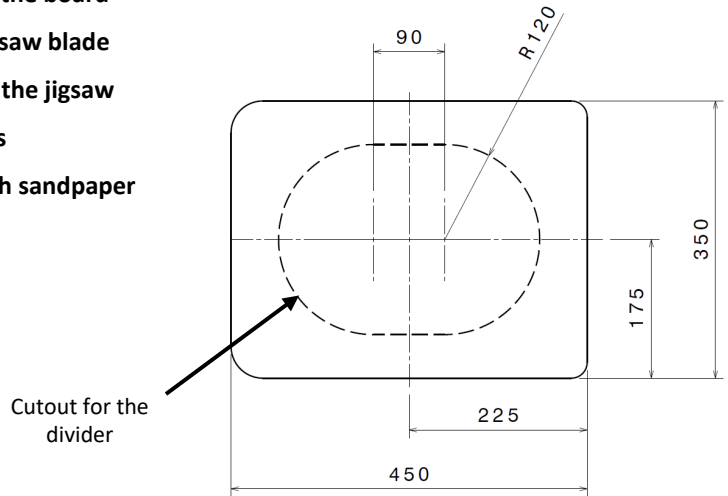


The DIY kit is available at
www.ecoshit.de/diy

2. Cutting the wooden board

A large opening for the divider insert must be sawn in the middle of the wooden board (35 x 45 centimeters). This is best done with a jigsaw.

1. Mark the contour on the board*
2. Drill a hole for the jigsaw blade
3. Cut the contour with the jigsaw
4. Round off the corners
5. Deburr the edges with sandpaper



*The contour for the neckline can be easily drawn with a ruler and compass to be recorded.

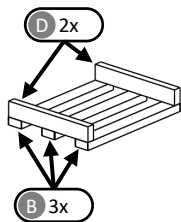
3. Cutting the wooden laths

The wooden battens (roof batten 24 x 48mm) must be cut as follows. The saw edges should then be deburred with a sanding block.

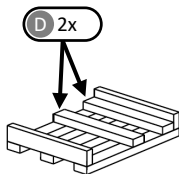
- A** 4 pieces with a length of **310 mm (5 Liter version)*** or **420 mm (10 Liter version)***
- B** 3 pieces with a length of **400 mm**
- C** 2 pieces with a length of **352 mm**
- D** 6 pieces with a length of **300 mm**

* Depending on whether you want the compact or the standard version of the urine-diverting toilet you want to build, you need either the DIY set in the "5 liter" variant or in the "10 liter" variant.

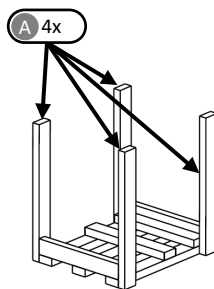
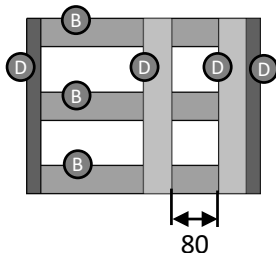
4. Assembly of the frame



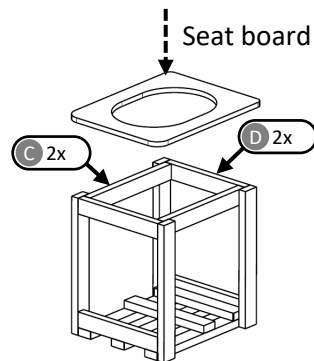
As a base plate screw 2 pieces **D** upright onto 3 pieces **B**.



Mount 2 pieces **D** horizontally, with a distance of 80mm.

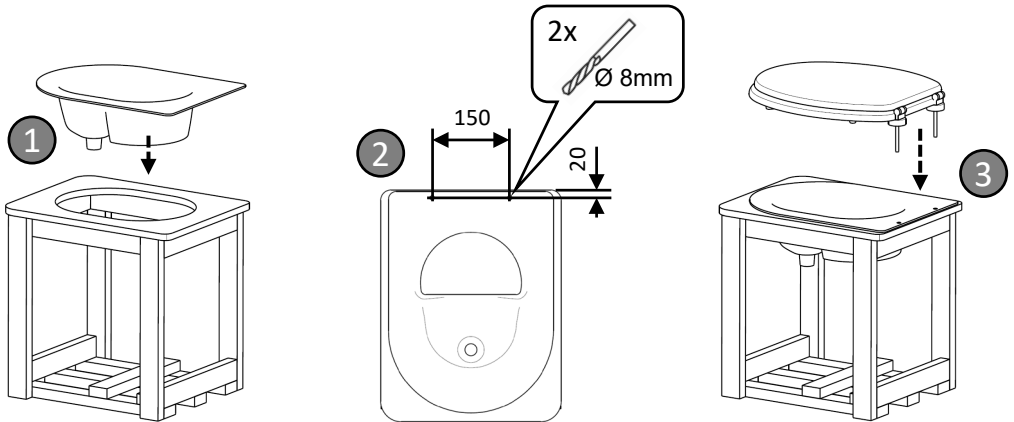


Screw 4 pieces **A** vertically to the corners of the base plate.



Assemble the upper frame from 2 pieces **C** and **D** each. Then screw the seat board.

5. Mounting the toilet seat



Insert the divider into the seat board from above.

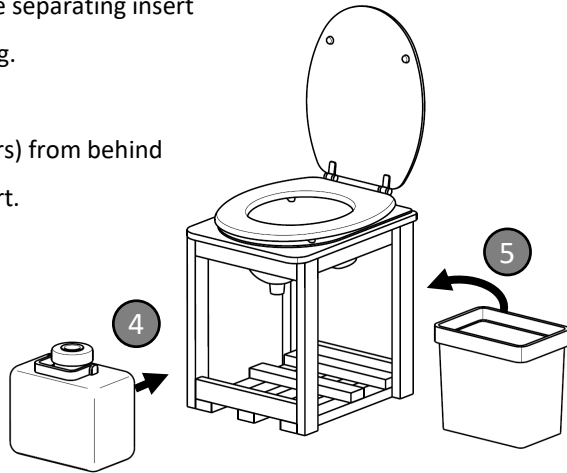
Drill two holes through divider and seat board to attach toilet lid.

Fasten the toilet lid with the enclosed mounting material.

6. Final assembly

The last step is to insert only the canister and bucket.

- 4 Place the canister (5 or 10 liters) in the frame from the front so that the separating insert protrudes into its opening.
- 5 Place bucket (5 or 10 liters) from behind under the separator insert.



Important:

Before use, the bucket should be lined with a trash bag. Make sure that the separator insert is positioned exactly over the bucket and canister.

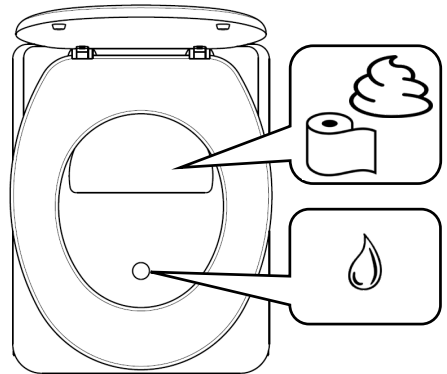
This way nothing can go wrong.

Use of the separation toilet

Use the separation toilet like a WC.

Please notice:

- Do not pee standing up
- Do not use a toilet brush for cleaning, instead use mild soapy water or disinfectant
- Cover the droppings with an absorbent litter (sawdust, wood shavings or kitty litter)

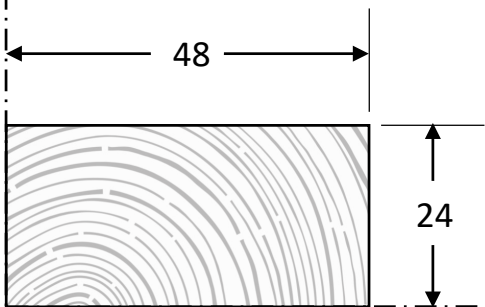


After 2-3 days, the urine decomposes and smells strongly of ammonia. That is why you should regularly empty the canister and rinse it with clean water. The urine can be diluted with water in a ratio of 1:10 and used directly as a plant fertilizer.

The feces can be composted or disposed of in the residual waste.



The DIY kit is available at
www.ecoshit.de/diy



Template for the cutout
R120



- 12
- 11
- 10
- 9
- 8
- 7
- 6
- 5
- 4
- 3
- 2
- 1

ECO SHIT

SAVE WATER = SAVE THE PLANET



DIY-Instruction_EN_V1.2

Exclusion of liability

We are not liable for damage to property or personal injury that can be linked to the use of the instructions and/or the urine-diverting toilet. Material selection, construction and use is at your own risk.

Intended for private use.

Use your personal protective equipment for construction: gloves, safety goggles, safety shoes and hearing protection.



www.ecoshit.de